



## Centralized Vacuum Systems

Delfin engineers centralized vacuum systems designed on its customers needs, meant to exceed his expectations.

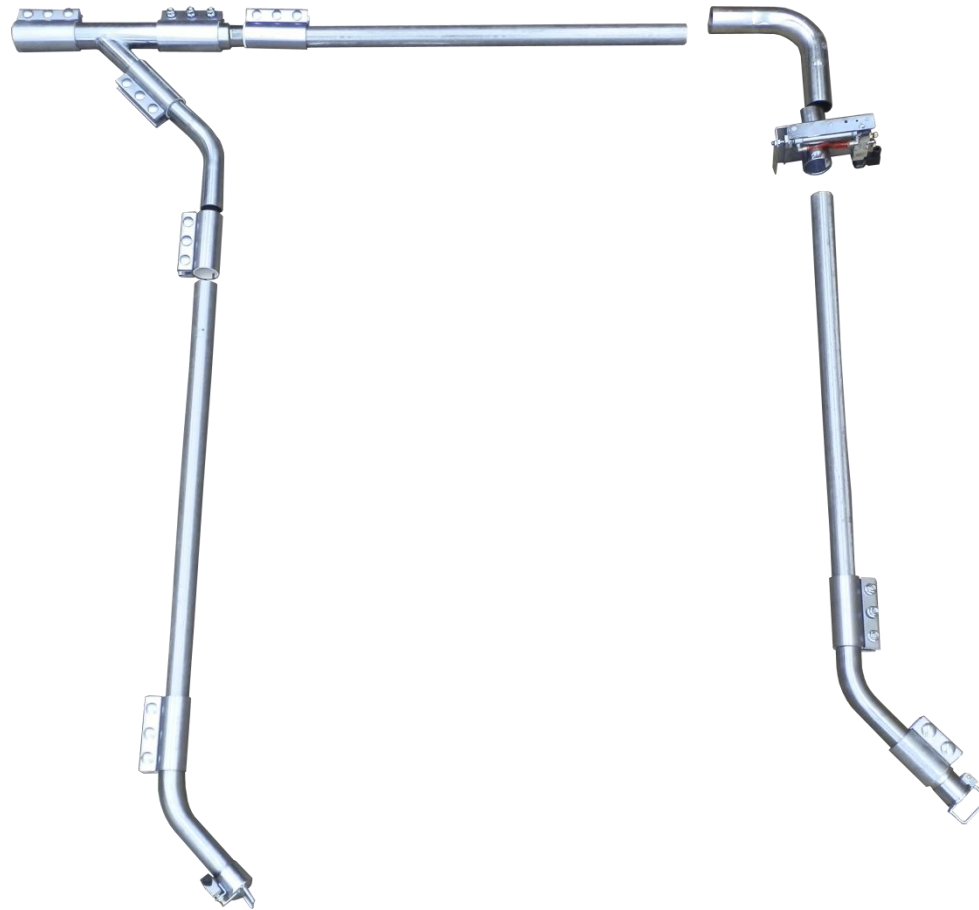
Food Pharmaceutical, Beverage, Packaging, Mills, Cement plants, are only some exemples of our know how.

# Centralized Vacuum Systems: Why?

- *A Delfin CVS is the best solutions when it comes to flexibility.*
- Fixed central installations consist of a suction unit and a web of pipes which can be mounted anywhere in the workshop, depending on the customers needs. It is an extremely flexible tool: it can be used to clean production lines, floors and installations during or after the working cycle, even non-stop. The savings on time and cleaning personnel edicated to these activities is immediate. One operator alone can clean an entire warehouse with no need of help or other tools.
- The fix cleaning system allows to collect materials from many inlets simultaneously. Therefore, wide areas can be efficiently cleaned. Vacuumed materials are collected in one single container, placed either inside or outside the factory, making it easier for the operators to provide for their disposal or recycling.



# Centralized Vacuum Systems:How?



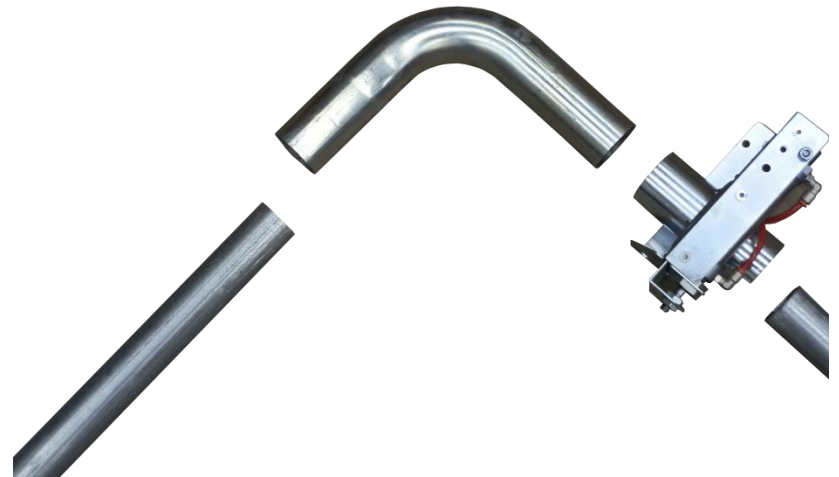
- ❑ A CVS is composed of pipes and links.
- ❑ Each CVS is designed to fulfill the customer's requirements and answer his needs.

# Centralized Vacuum Systems:How?

Piping with suction inlet. The operator simply plugs the hose in and starts to vacuum.



90° bend. Each CVS is design to fit your workshop.



# Centralized Vacuum Systems:How?

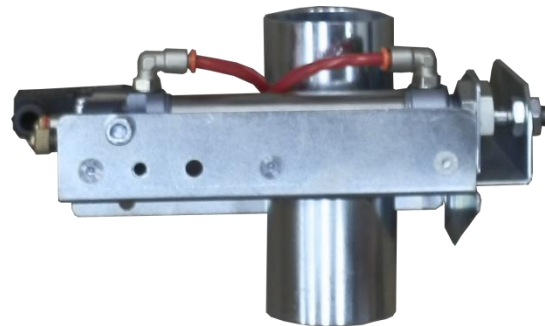
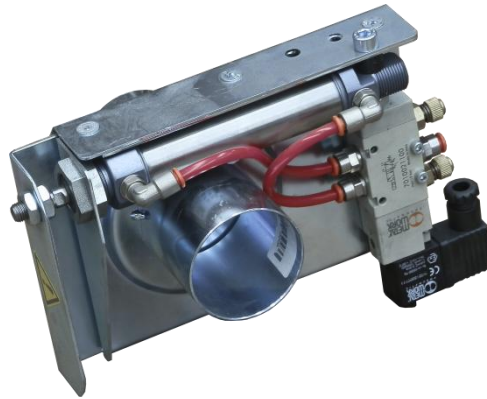
Pipes connection.



Hose reel.



# Centralized Vacuum Systems:How?



- Pneumatic closing guillotine.

# CVS: References



# CVS: References



# CVS: References

Hammerl  
Landbäckerei



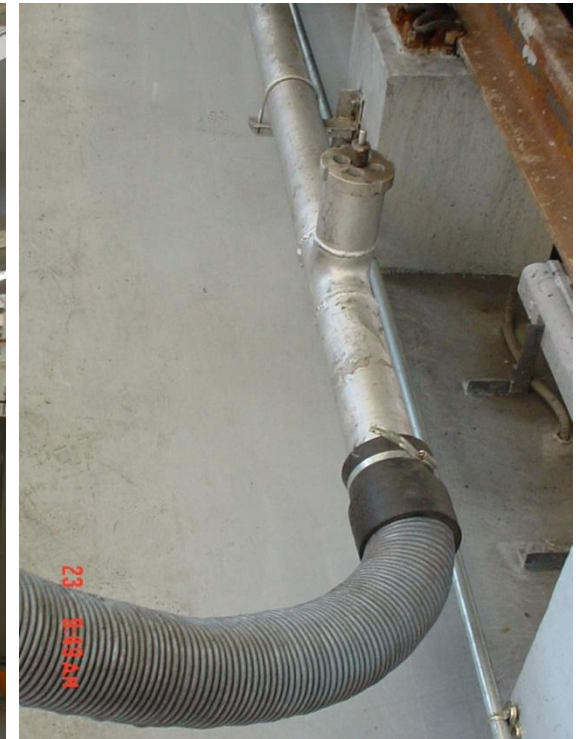
ATEX certifies CVS for the general cleaning of an industrial bakery facility.

# CVS: References

Hammerl  
Landbäckerei



# CVS: References



CVS for the cleaning of Beijing's Subways wagons.



# CVS: References



# CVS: References

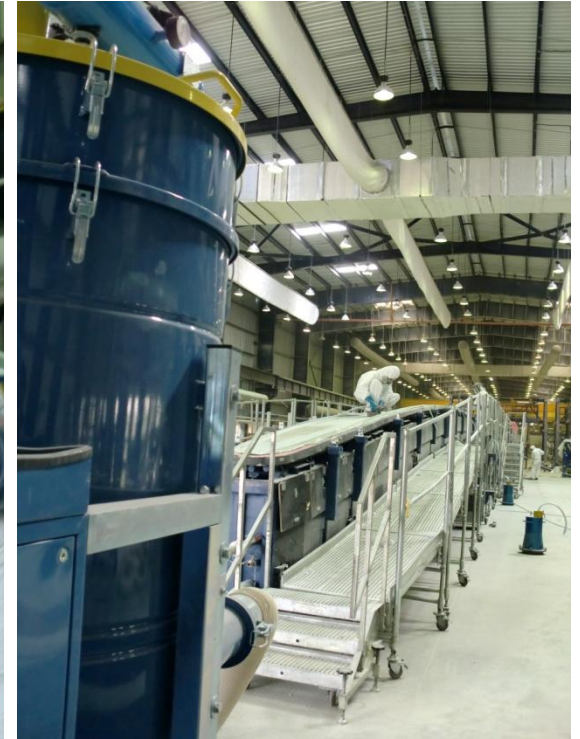
# SIEMENS



CVS for Siemens Wind Power Wind Mills polishing facility.

# CVS: References

# SIEMENS



CVS for Siemens Wind Power Wind Mills polishing facility.